

Product Datasheet

10-port Gigabit Uplink PoE Switch

(ONV-H1108PGL)



OVERVIEW

The ONV-H1108PGL is a 10/100Mbps unmanaged PoE switch independently developed by ONV. It has 8*10/100M PoE ports and 2*10/100/1000M uplink RJ45 ports. Port 1-8 can support IEEE802.3af/at PoE standard. Single-port PoE power up to 30W, and the maximum POE output power is 120W. As a PoE power supply device, it can automatically detect and recognize the power receiving equipment that meets the standard and supply power through the network cable. It can supply power to POE terminal equipment such as wireless AP, webcam, VoIP phone, video access control intercom, etc. through network cable to meet the network environment that needs high-density PoE power supply. It is suitable for hotels, campuses, factory quarters and small and medium-sized enterprises to form an economy efficient network.

Unmanaged model, plug and play, no configuration, easy to use.

FEATURE

■ 10/100Mbps access, Gigabit dual RJ45 port uplink

- ◇ Support non-blocking wire-speed forwarding for smoother transmission.
- ◇ Support IEEE802.3x full-duplex flow control and Backpressure half-duplex flow control.
- ◇ Provides 8*10/100Base-TX RJ45 ports and 2*10/100/1000Base-T RJ45 ports for flexible networking and meets the networking requirements of various scenarios.

■ Intelligent PoE power supply

- ◇ IEEE802.3af/at PoE standard, without damaging non-PoE devices.
- ◇ 8*10/100Base-TX RJ45 ports, meeting the needs of security monitoring, teleconferencing system, wireless coverage, and other scenarios.
- ◇ Priority system for PoE port, it will supply power to the high priority level port first when the power budget is insufficient and avoid overwork of the device.

■ Innovative function

- ◇ Long distance file: When opening, the speed of port 1-8 is reduced to 10M. With the existing twisted pair cable, the transmission limit of the twisted pair line can be broken, and the transmission distance can reach 250 meters; on the other hand, It can solve the problem of poor transmission caused by line aging.

■ Stable and reliable, easy to use

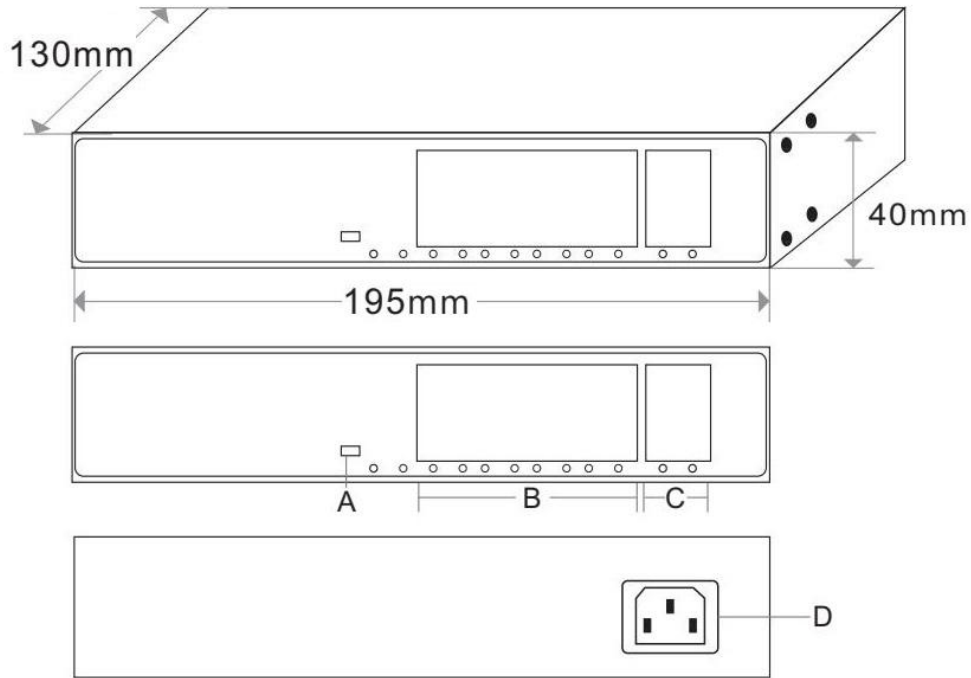
- ◇ CCC, CE, FCC, RoHS.
- ◇ Plug and play, no configuration, simple and convenient.
- ◇ Low power consumption, galvanized steel casing, no fan.
- ◇ The user-friendly panel can show the device status through the LED indicator of PWR, Link/Act, PoE.
- ◇ Self-developed power supply, high redundancy design, providing a long term and stable PoE power output.

TECHNICAL SPECIFICATION

Model	ONV-H1108PGL
Interface Characteristics	
Fixed Port	8*10/100Base-TX PoE ports (Data/Power) 2*10/100/1000Base-T uplink RJ45 ports (Data)
Ethernet Port	Port 1-8 can support 10/100Base-TX auto detect, port 9-10 can support 10/100/1000Base-T auto detect, full / half duplex MDI / MDI-X adaptive
Functional Switch	1*(Extend) Note: when the switch state changes, it must be restarted before the PoE switch function can take effect
Twisted Pair Transmission	10BASE-T: Cat3,4,5 UTP(≤250 meter) 100BASE-TX: Cat5 or later UTP(≤100 meter) 1000BASE-T: Cat5e or later UTP(≤100 meter)
Chip Parameter	
Network Protocol	IEEE802.3 10BASE-T, IEEE802.3i 10Base-T, IEEE802.3u 100Base-TX IEEE802.3x
Forwarding Mode	Store and Forward(Full Wire Speed)
Switching Capacity	11.8Gbps (Non-blocking)
Forwarding Rate@64byte	4.17Mpps
MAC	3k
Buffer Memory	2M
LED Indicator	Power: PWR (Green), Network: Link (Yellow), PoE: PoE (Green) Functional switch: EXTEND (Green)
PoE & Power	
PoE Port	Port 1 to 8
Power Supply Pin	1/2(+) 3/6(-)
Max Power Per Port	30W, IEEE802.3af/at

Total PWR / Input Voltage	120W/ (AC100-240V)
Power Consumption	Standby <5W, Full load <120W
Power Supply	Built-in power supply, AC100~240V 50-60Hz 2.2A
Physical Parameter	
Operation TEMP / Humidity	-20~+55°C, 5%~90% RH Non condensing
Storage TEMP / Humidity	-40~+75°C, 5%~95% RH Non condensing
Dimension	195*130*40mm
Net /Gross Weight	<0.8kg / <1.2kg
Installation	Desktop, wall mounted
Certification & Warranty	
Lightning Protection	Lightning protection: 4KV 8/20us, Protection level: IP30
Certification	CCC, CE mark, commercial, CE/LVD EN62368-1, FCC Part 15 Class B, RoHS
Warranty	1 year, lifelong maintenance.

DIMENSION



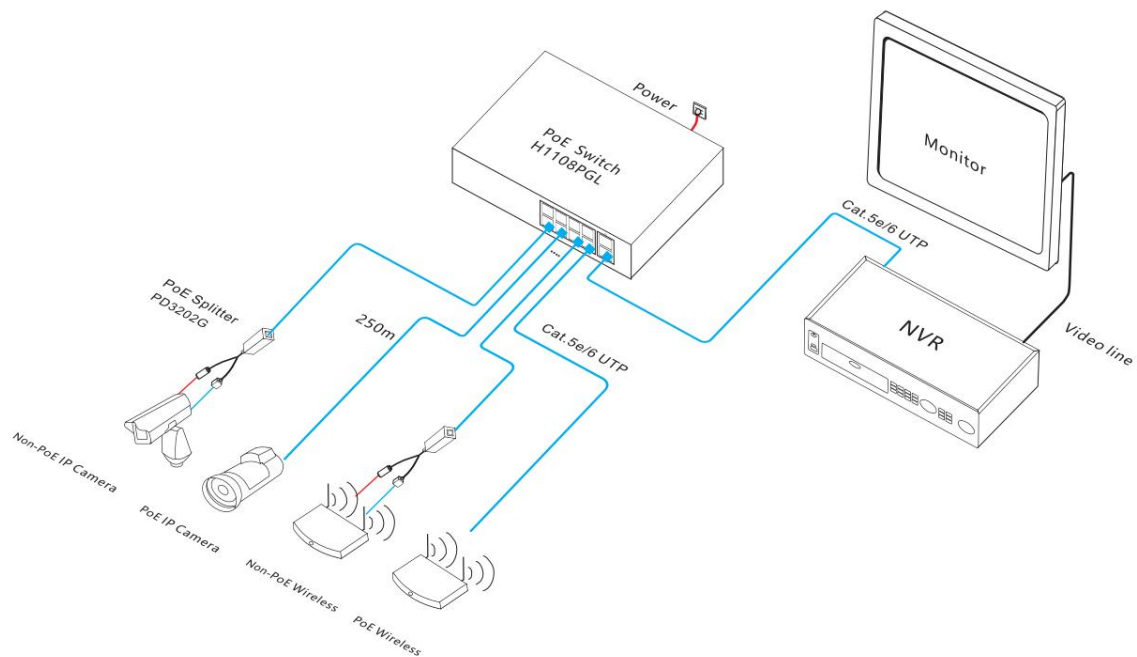
A. Multi-functional switch

B. 8x10/100M PoE ports

C. 2*10/100/1000M uplink RJ45 ports

D. Power input port AC100-240,50/60Hz

APPLICATION



ORDERING INFORMATION

Model	Description
ONV-H1108PGL	Unmanaged PoE switch with 8*10/100M PoE ports and 2*10/100/1000M RJ45 ports. Port 1-8 can support IEEE802.3af/at PoE standard, adjust the function switch to realize port 1-8 VLAN isolation and 10M/250m transmission, built-in 120W power supply.

PACKING LIST

	Content	Qty	Unit
Packing List	10-port gigabit uplink PoE switch	1	SET
	AC Power Line	1	PC
	User Guide	1	PC
	Warranty Card	1	PC

CONTACT US

ONV Optical Network Video Technologies (Shenzhen) Co., Ltd.

Tel: 0086-755-33376606

Fax: 0086-755-33376608

Email: onv@onv.com.cn

Skype: [onv@onv.com.cn](https://www.skype.com/people/onv@onv.com.cn)

WeChat ID: ONV-PoE-IoT

Website: www.onvcom.com

Headquarter Address: Room 1003, Block D, Terra Building, Futian District, Shenzhen

Factory Address: The 4-6th Floor, No. 59, Huaning Road, Xinwei Community, Dalang Street,
Longhua District, Shenzhen

